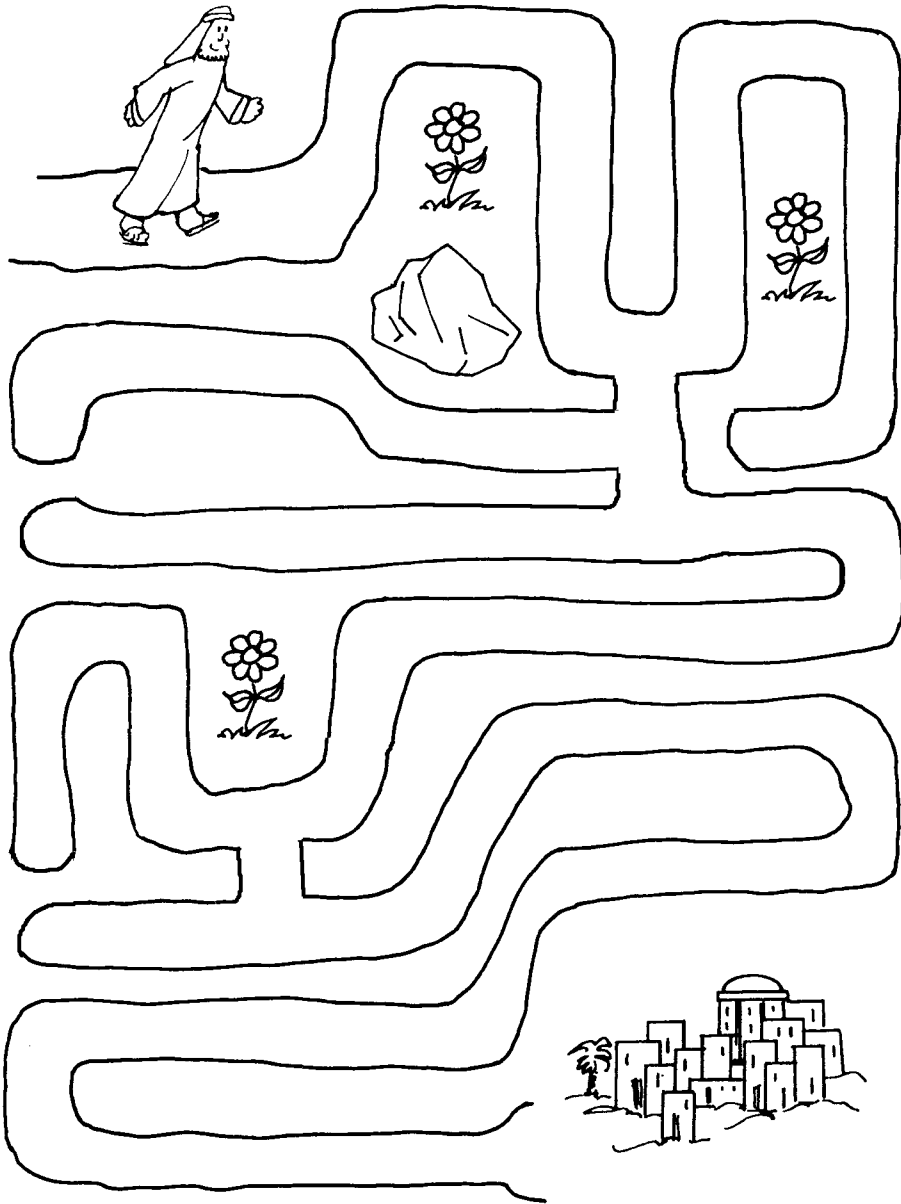


Isaiah heard the voice of God asking, "Who shall I send?" Isaiah answered, "Send me!"

Follow the maze.



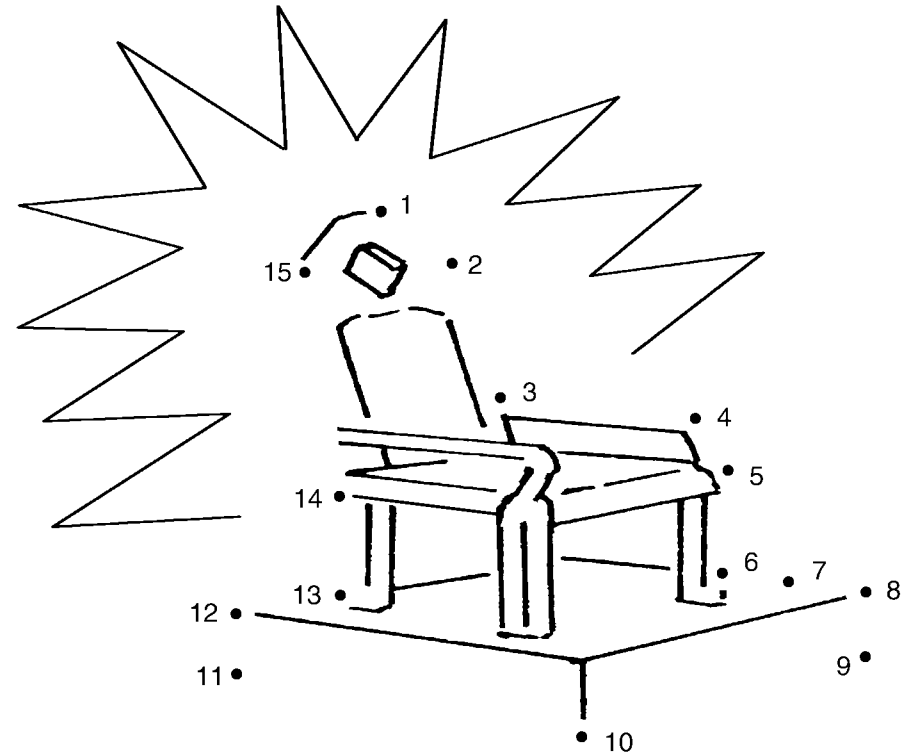
Ages 3+

May 30, 2021 • Isaiah 6:1-8

The Call of Isaiah

Isaiah had a vision of what God was sitting on.

Connect the dots. 1 2 3 4 5 6 7 8 9 10 11 12 13 14 15



Bower Hill Community Church

Enter your **SECRET CODE** to unlock games @
games.childrensbulletins.com

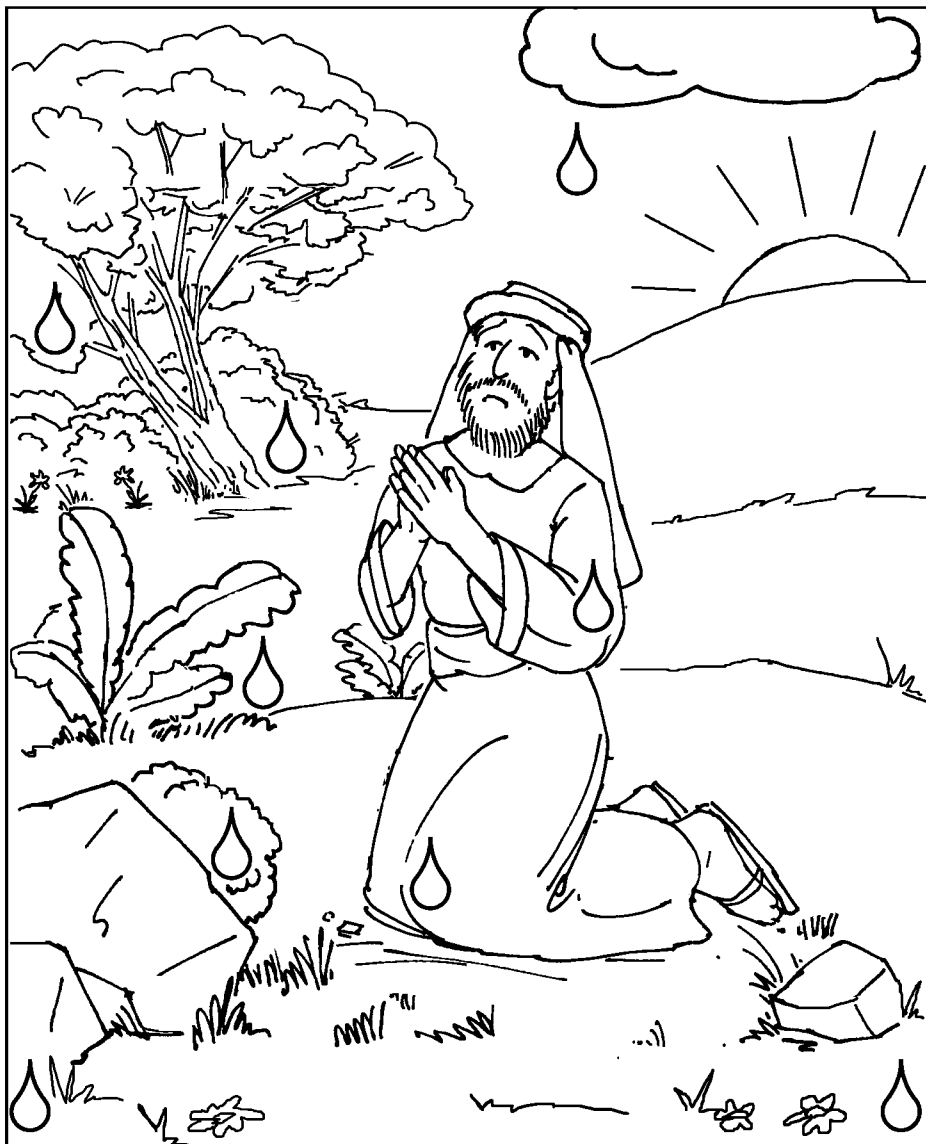
SECRET CODE
DFAK93

Isaiah was filled with guilt for himself and for the people.

Find and count the hidden



Circle the correct number. 8 or 9 or 10 ?



God touched Isaiah's lips and gave him a message of hope.

What did God tell Isaiah?

Use the code to fill in the missing letters.



= A



= E



= I



= O



= U

Y



R

G



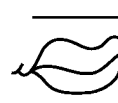
L

T

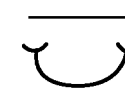
S



T



K



N

W



Y